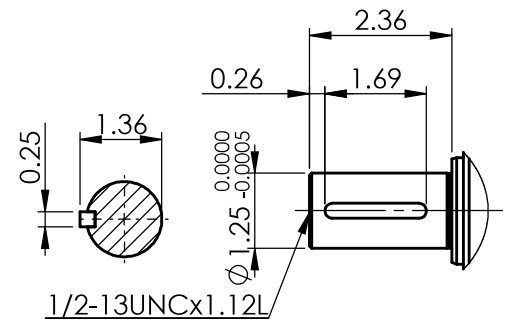
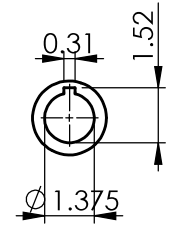
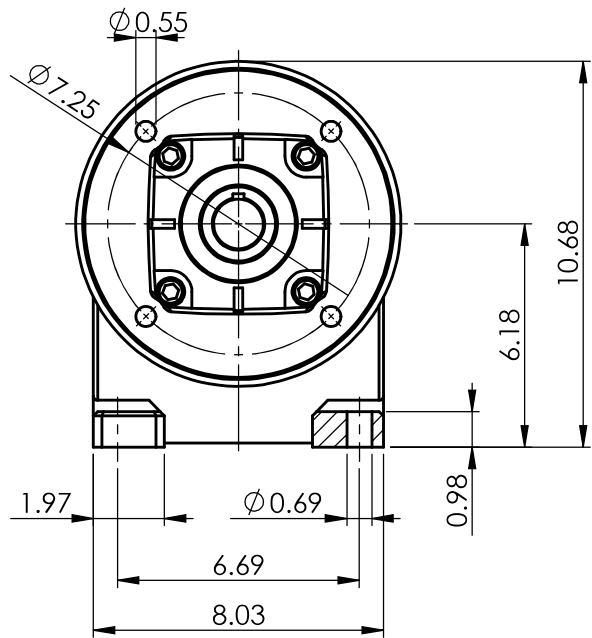
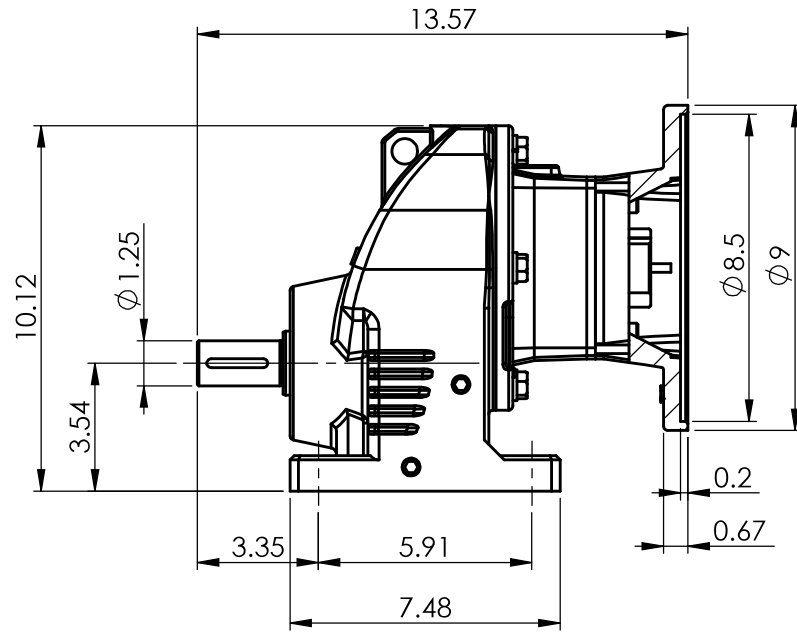


1 2 3 4 5 6 7

A
B
C
D
E
F



NO.	SECTION	ORIGIN	MODIFICATION	DATE	IN CHARGE

NO.	PART NO.	MATERIAL	PC	RAW MATERIAL	WEIGHT	NOTE
SCABBLE TOLERANCE	DWG. 2014.07.29	Y.S.P	WORLDWIDE			
>0 ± 0.1	DES.N.					
>6 ± 0.2	APPR.					
>30 ± 0.3	DATE	NAME	TITLE	WINL77-213/5TC(1-STAGE)		
>120 ± 0.5	SCALE	1:5	DWG. NO.	RX77		REV. A
>315 ± 0.8	ANG. TOLERANCE ± 0.5					