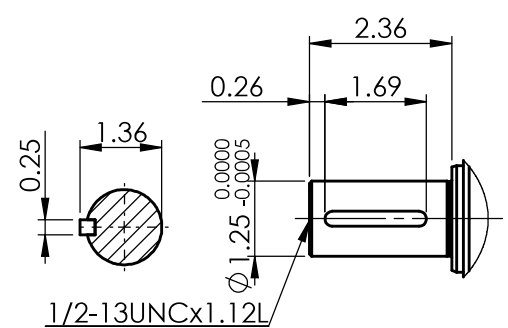
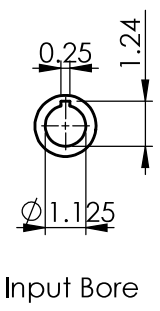
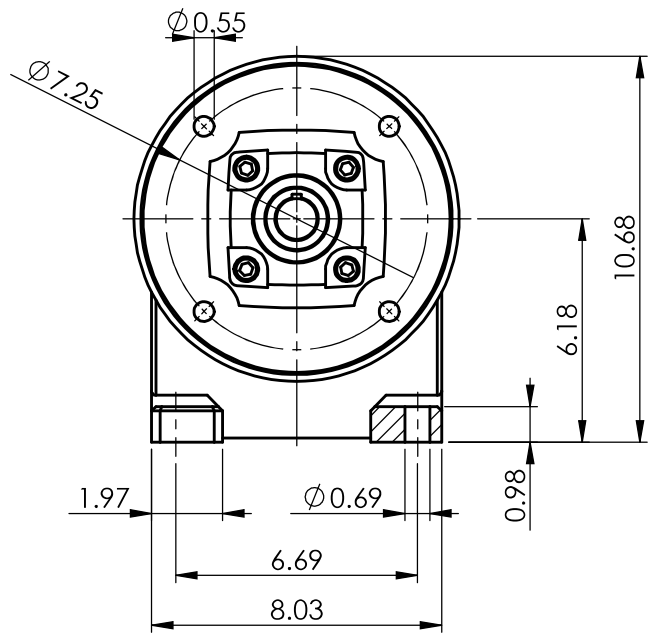
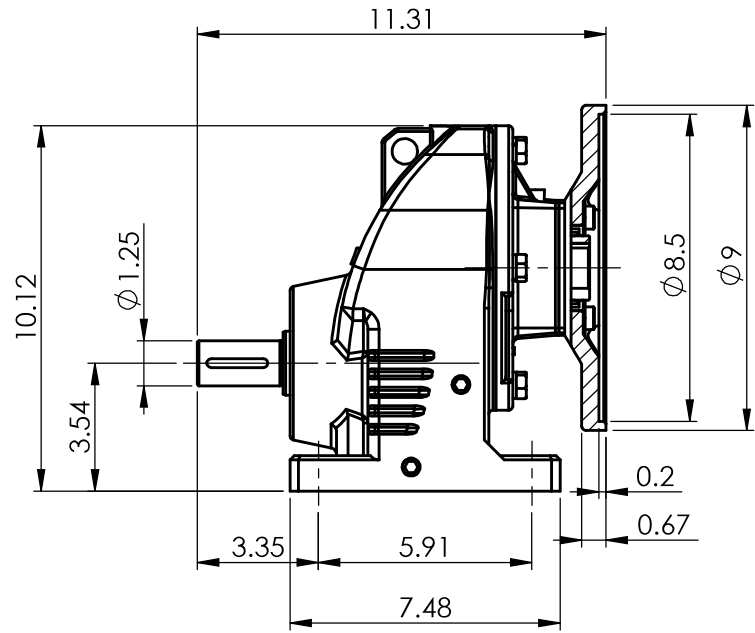


1 2 3 4 5 6 7

A
B
C
D
E
F



Output Shaft

NO.	PART NO.	MATERIAL	PC	RAW MATERIAL	WEIGHT	NOTE
SCALABLE TOLERANCE >0 ± 0.1 >6 ± 0.2 >30 ± 0.3 >120 ± 0.5 >315 ± 0.8		DWG.	2014.07.18	Y.S.P	WORLDWIDE	
MACHINING REQUIRED: - NO-MACHINING ▽ 50S ▽▽ 25S ▽▽▽ 6S ANG. TOLERANCE ± 0.5		DESN.				
		APPR.				
		DATE	NAME	TITLE	WINL77-182/4TC(1-STAGE)	
		SCALE	1:5	DWG. NO.	RX77	REV. A

NO.	SECTION	ORIGIN	MODIFICATION	DATE	IN CHARGE