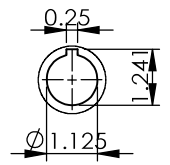
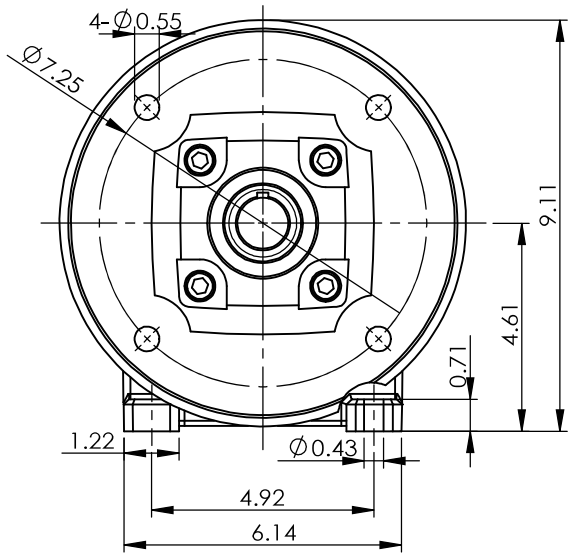
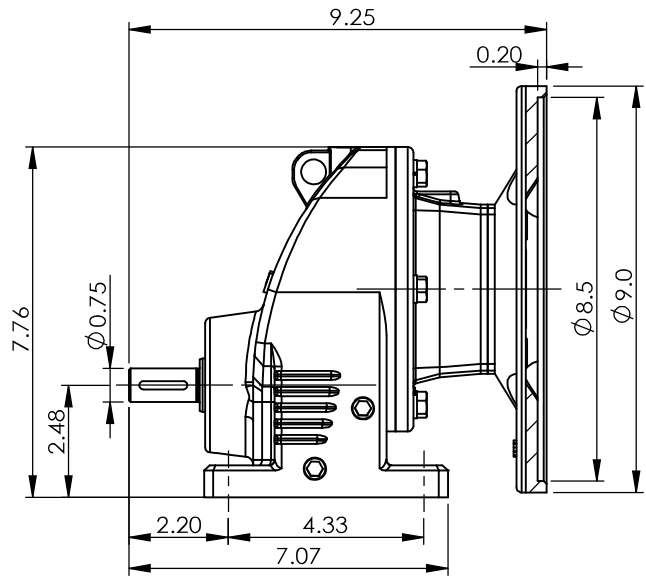
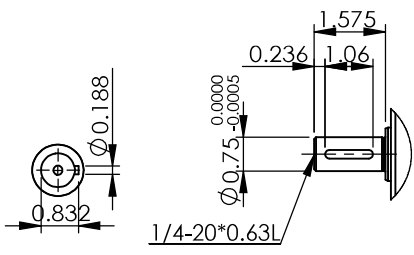


1 2 3 4 5 6 7

A
B
C
D
E
F



Input Bore



Output Shaft

NO.	PART NO.	MATERIAL	PC	RAW MATERIAL	WEIGHT	NOTE
SCABBLE TOLERANCE	DWG. 2014.07.29	Y.S.P	WORLDWIDE			
>0 ± 0.1	DESN.					
>6 ± 0.2	APPR.					
>30 ± 0.3	DATE	NAME	TITLE	WINL57-182/4TC(1-STAGE)		
>120 ± 0.5	SCALE	1:4	DWG. NO.	RX57		REV. A
>315 ± 0.8	ANG. TOLERANCE ± 0.5					
MACHINING REQUIRED						
- NO-MACHINING						
▽ 50S						
▽▽ 25S						
▽▽▽ 6S						

NO.	SECTION	ORIGIN	MODIFICATION	DATE	IN CHARGE