

1

2

3

4

5

6

7

A

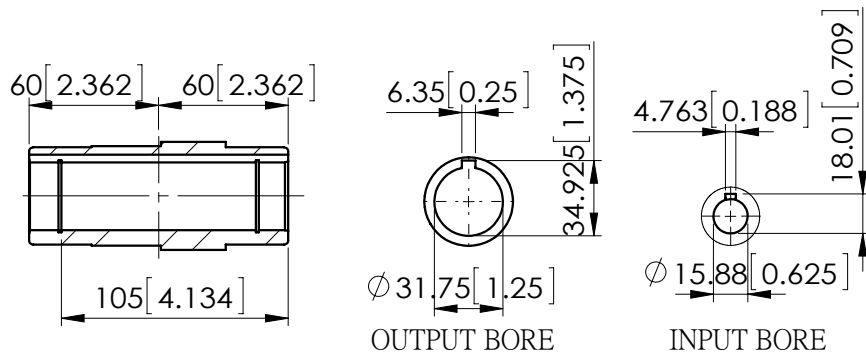
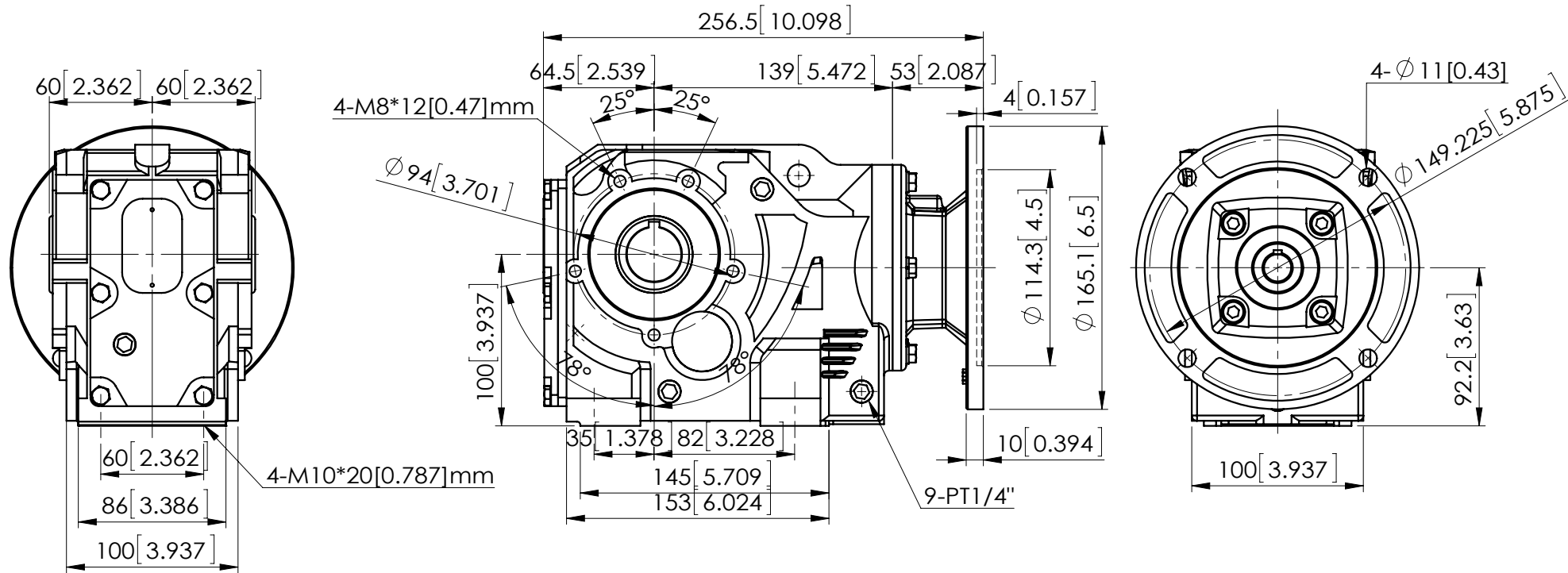
B

C

D

E

F



NO.	PART NO.	MATERIAL	PC	RAW MATERIAL	WEIGHT	NOTE
SCABBLE TOLERANCE						
>0	± 0.1	DWG.	2019.04.18	Y.S.P	<b>WORLDWIDE</b>	
>6	± 0.2	DESN.				
>30	± 0.3	APPR.				
>120	± 0.5					
>315	± 0.8					
MACHINING REQUIRED		DATE	NAME	TITLE	KAN37-56C	
~	NO-MACHINING					
▽	50S					
▽▽	25S					
▽▽▽	6S					
ANG. TOLERANCE	±0.5	SCALE	1:3.5	DWG. NO.	KAN37	REV.

NO.	SECTION	ORIGIN	MODIFICATION	DATE	IN CHARGE